

LOOP CONTROL SHADE

STEP 1: ATTACHING BRACKETS

Larger shades may require additional brackets. Space additional brackets equally and align with the end brackets.

Inside Mount

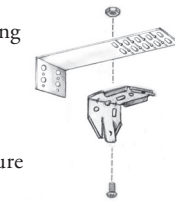
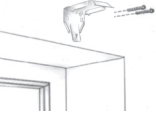
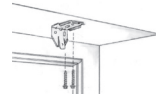
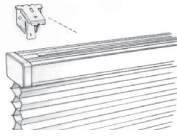
Mount the brackets to the top or back of the window frame. Make sure a bracket is within 1"-4" of the loop control mechanism and that the brackets are aligned with one another.

Outside Mount

Center the shade over the window opening at the desired height. Mark the position of the ends of the headrail on the wall. Attach the mounting brackets to the wall making sure a bracket is within 1-4" of the loop control mechanism. Be certain brackets are aligned with one another.

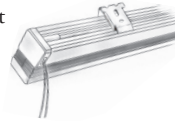
Mounting with Extension Brackets

If you need to project the shade out from the mounting surface, use the supplied nuts and bolts to attach mounting brackets to the desired position in the extension bracket. With pliers, bend and break the unused part of the extension bracket. Attach extension brackets to mounting surface, making sure brackets are spaced as noted above.



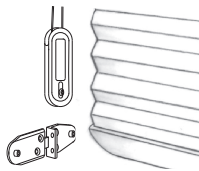
STEP 2: ATTACHING THE HEADRAIL/SHADE

Center shade in window opening. Insert the front clip of the bracket into the front groove of the rail. Push the rail back and up until the back clips of the bracket snap into the back groove of the rail.



STEP 3: ATTACHING CORD TENSION DEVICE

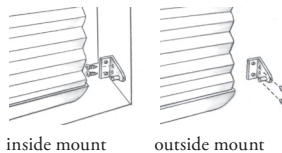
Shade will not operate properly unless device is attached. See enclosed instructions for details.



STEP 4: ATTACHING OPTIONAL HOLD-DOWN BRACKETS

Insert bracket pins into holes in bottomrail end caps. Lower shade completely and mark the position where brackets will mount. Attach brackets with screws provided.

To unhook brackets, slightly pull bracket away from shade to disengage pins from bottomrail.



OPERATING YOUR SHADE

Lower the shade by pulling down on the cord loop, raise by pulling the other side of the cord loop.

REMOVING YOUR SHADE

Using your fingers or a screwdriver, press tab on back of each bracket to release the shade.



TROUBLE SHOOTING

SHADE WILL NOT SNAP INTO BRACKETS.

Cordless and Loop Control Shades: Make sure mounting brackets are aligned and level with each other.

SHADE DOES NOT RAISE AND LOWER EVENLY OR DOES NOT RAISE AND LOWER AT ALL.

Standard Shades: Check inside the headrail and follow the cord path and make sure there are no obstructions that would keep the mechanism from turning. Check your controls and make sure the cords are not twisted or tangled.

Loop Control Shades: Check inside the headrail and make sure there are no obstructions that would keep the mechanism from turning.

SHADES WILL NOT LOWER ALL OF THE WAY.

All Shades: Let the shades hang open for a few days so the fabric can relax.

NO HOLES FOR HOLD-DOWN BRACKET PINS.

Standard and Loop Control Shades: Remove the end caps from the bottomrail and punch the holes through the end caps from the back side. Replace the end caps.

IMPORTANT INFORMATION REGARDING CORDLESS SHADE OPERATION.

Daily operation of shade will ensure that it performs at its optimal level. If the shade is in the lowered position for an extended period of time, extra care needs to be taken when raising the shade. The fabric will relax and may resist lifting. This is a natural occurrence with all fabric shades. When lifting, you may notice the billowing (falling out) toward you. This is temporary and can be corrected by slowly raising the shade completely and then operating several times. This allows the fabric to go back to its pleated state, and the shade will operate as designed.

If shade has been in the fully raised position for an extended period of time, it may have a tendency to "spring back" above the desired length of the shade. This is temporary and can be corrected by completely raising the shade and operating several times.

Operating the shade with the handle provided is recommended so that the shade is balanced when raising and lowering.

CARE AND CLEANING

A light dusting with a vacuum cleaner brush attachment on a regular basis will keep shades looking new for years. Recommended cleaning methods:

Dusting. Regular light dusting maintains a like-new appearance of shades.

Vacuuming. For deeper cleaning, vacuum gently with a brush attachment of any vacuum cleaner.

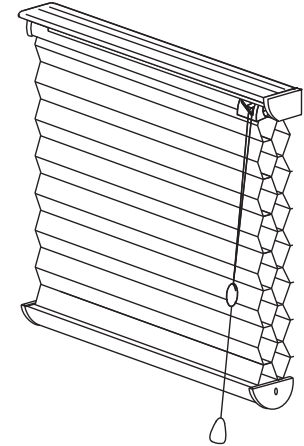
Spot-cleaning. Spot-clean shades with soft cloth or sponge moistened with lukewarm water. Add mild, clear dish detergent if needed. Blot gently to avoid creasing or damaging the fabric. Rubbing can damage fabrics. Spot-cleaning may result in cleaner areas. Blackout cellular fabrics should not be spot-cleaned.

Important: Ultrasonic cleaning is not recommended on any shades.

Note: Pleats in cellular and pleated fabric have a tendency to settle. Pleats at the bottom will be fuller than those at the top. Shades that are raised regularly will be less subject to pleat settling and will maintain a more crisp appearance.

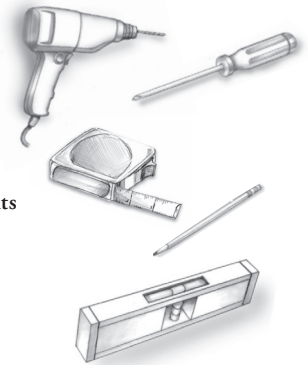
CELLULAR AND SHEER PLEATED SHADES

INSTALLATION INSTRUCTIONS



TOOLS REQUIRED

- Metal measuring tape
- Power drill and bits
- Pencil
- Level
- Screwdriver



Mounting Surface Requirements

Brackets must be mounted securely in order for shade to operate properly. If mounting screws do not hit wood studs, use an appropriate fastener and follow the manufacturer's instructions for proper installation of fastener.

Wallboard or plaster

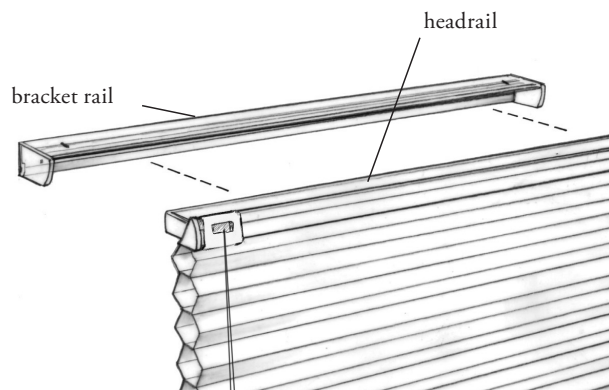
Use a secure fastener designed for hollow wall applications.

Metal

Pre-drill holes and use the included screws.

Concrete, stone, brick or tile. Use a masonry drill and appropriate plugs, anchors or screws.

STANDARD SHADE



STEP 1: ATTACHING THE BRACKET RAIL

Inside Mount

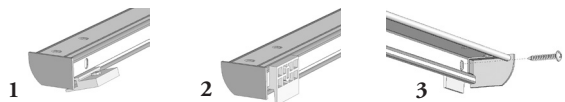
Mount bracket rail to top of window frame by using one screw in each pre-drilled hole at rail ends, and possibly in the middle depending on width.

Outside Mount (no spacer blocks)

Center bracket rail over window opening at desired height. Mount bracket rail to mounting surface using only one screw on each end and one in the center if necessary.

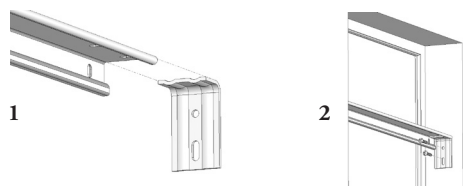
Outside Mount (with spacer blocks)

Follow above instructions, but prior to mounting bracket rail, snap spacer blocks into back of bracket rail screw holes (1 and 2), then screw into mounting surface (3).



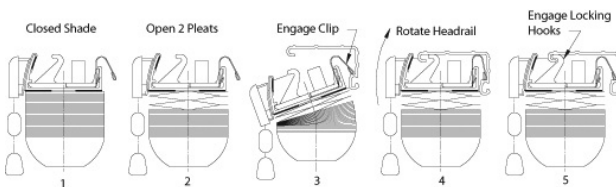
Mounting with Supplemental Side Brackets

Remove clear end caps if necessary. Attach short side of side mount brackets to inside of bracket rail on each end (1). Position bracket rail at desired height and level it side-to-side and front-to-back. Mark hole locations. Remove bracket rail and drill two screw pilot holes on both sides of window opening. Position bracket rail to the drilled holes and install using two screws on each side (2).



STEP 2: ATTACHING THE HEADRAIL/SHADE

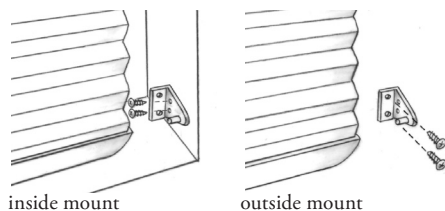
1. Shown is the end view of the shade with the fabric in closed position.
2. Drop shade slightly (one to two pleats) from the headrail by momentarily releasing the cordlock.
3. With the bracket rail installed, angle the back of the headrail up into the bracket rail to seat all clips onto the bracket rail ledge as shown.
4. Gently push the headrail into the bracket rail and rotate it up to the top of the bracket rail.
5. With all clips still seated on the ledge, slide the headrail forward slightly to engage all the locking hooks into the bracket rail.



STEP 3: ATTACHING OPTIONAL HOLD-DOWN BRACKETS

Insert bracket pins into holes in bottomrail end caps. Lower shade completely and mark the position where brackets will mount. Attach brackets with screws provided.

To unhook brackets, slightly pull bracket away from shade to disengage pins from bottomrail.



OPERATING YOUR SHADE

To raise and lower the shade, pull the cord inward toward the center of the shade (with cord near shade) to unlock. Then raise or lower shade to desired position. Lock shade into position by moving the cord back to the outside edge of the shade.

REMOVING YOUR SHADE

Push straight in on front of headrail and rotate front of shade down and then pull it away from the bracket rail.

CORDLESS SHADE

STEP 1: ATTACHING THE BRACKETS

Larger shades may require additional brackets. Space additional brackets equally and align with the end brackets.

Note placement of components inside headrail. Brackets must be placed in the open areas between components to avoid interfering with the operating mechanism. Mark these locations on top of window frame for inside mount or on wall for outside mount.

Inside Mount

Mount brackets to top or back of window frame, 1"-6" in from edge of frame. Make sure brackets are aligned with one another.

Outside Mount

Center shade over window opening at desired height. Mark the position of the headrail ends on the wall. Attach mounting brackets to the wall, 1"-6" in from the marks, making sure brackets are aligned with one another.

Mounting with Extension Brackets

If you need to project the shade out from the mounting surface, use the supplied nuts and bolts to attach mounting brackets to the desired position in the extension bracket. With pliers, bend and break the unused part of the extension bracket. Attach extension brackets to mounting surface, making sure brackets are spaced as noted above.

STEP 2: ATTACHING THE HEADRAIL/SHADE

Center shade in window opening. Insert the front clip of the bracket into the front groove of the rail. Push the rail back and up until the back clips of the bracket snap into the back groove of the rail.

STEP 3: ATTACHING OPTIONAL HOLD-DOWN BRACKETS

Insert bracket pins into holes in bottomrail end caps. Lower shade completely and mark the position where brackets will mount. Attach brackets with screws provided.

To unhook brackets, slightly pull bracket away from shade to disengage pins from bottomrail.

OPERATING YOUR SHADE

Grasp the handle of the shade and raise or lower to desired position. See Trouble Shooting for more information.

REMOVING YOUR SHADE

Using your fingers or a screwdriver, press tab on back of each bracket to release the shade.

